

“A” CASEMENT RANGE

Side and top hung casements and fixed lights

● SYSTEM:

JTC2000 75mm front-to-back dimension

● FABRICATION:

To BS 4873, CE marked DOP No. EL75-CW/01

● GLAZING SYSTEM:

STANDARD: Externally beaded

● PROFILES:

STANDARD PROFILED: F: APE3023, M/T: APE3062, V: APE3045

OTHER: Square vent APE3049, Dummy Transom APE3064

● DRAINAGE:

STANDARD: Through drainage

● INSULATING GLASS UNITS:

STANDARD: 28mm overall thickness, clear, low emissivity soft-coat to one pane, swiss spacer, argon filled to achieve U-value 1.6 W.m²K or BFRC energy rating Band A

● MAXIMUM MANUFACTURING SIZE:

STANDARD TOP HUNG: **Max:** (W) 1624mm x (H) 1624mm **Min:** (W) 306mm x (H) 236mm

STANDARD SIDE HUNG: **Max:** (W) 900mm x (H) 1624mm **Min:** (W) 366mm x (H) 306mm

Sizes are vent frame not outerframe

Weight restrictions also apply

● OPERATING GEAR: *Refer to technical department for further details/information*

Hardware	Standard	Alternative	Options
Friction hinges	Defender standard T/H Mega hinge S/H	Defender restricted	
Dog bolts/hinge protectors	Vectors excluders (hinge claws)	None	Fitted to all opening lights
Espagnolettes	With mushroom headed cams & shootbolt	None	Night vent keeps fitted
Handles for espagnolettes	Inline push button to operate Key locking*	Non key locking, push button to operate	Green button for egress, if required
Restrictor	Concealed, non-locking	Locking	Securistyle restrictor arm

NOTES:

Trickle vent can NOT be through frame but achievable with an add-on to the head.

28mm & 36mm triple glazing options

Can have floating mullion window

CILLS:

APE3001 (30 x 95)

APE3002 (30 x 155)

APE3003 (30 x 190)

APE3004 (45 x 155)

APE3005 (45 x 190)

ADD-ONS/COUPLERS:

APE6080—15mm coupler

APE6090—33mm add-on

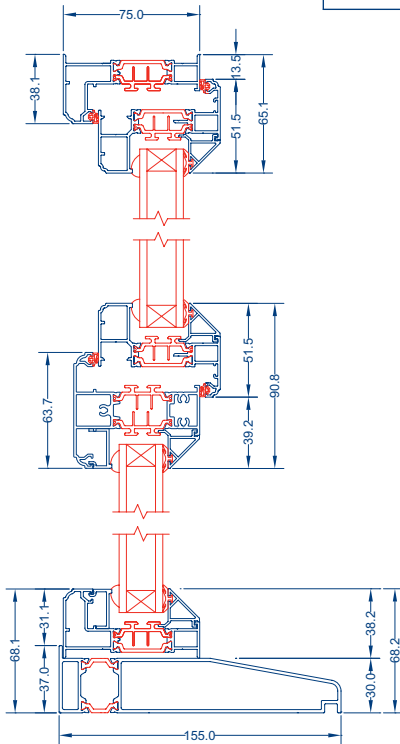
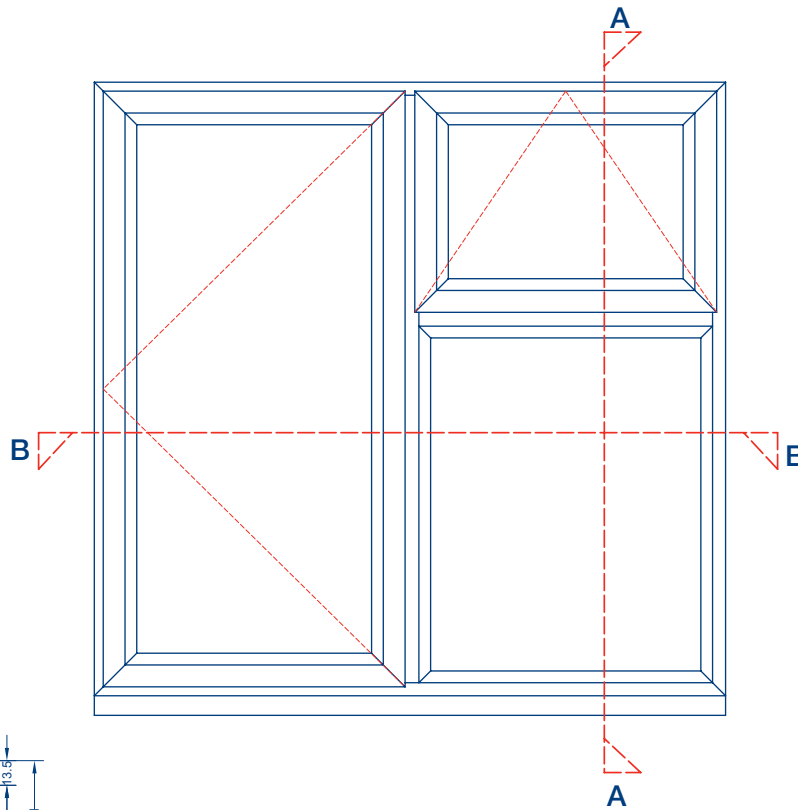
APE6083—75mm add-on

APE6082—90 degree corner post

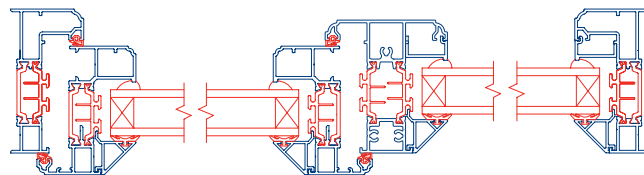
ANE1073—extension leg

“A” CASEMENT RANGE

Side and top hung casements and fixed lights



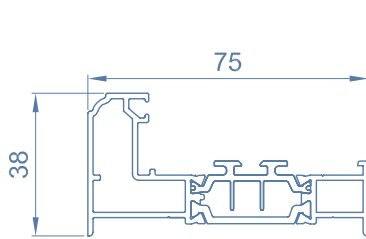
DETAIL A-A



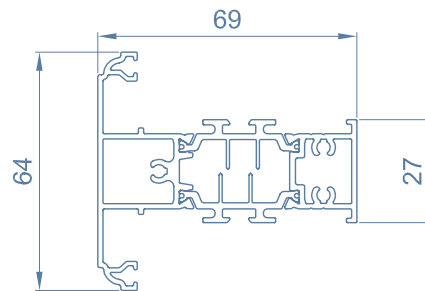
DETAIL B-B

“A” CASEMENT RANGE

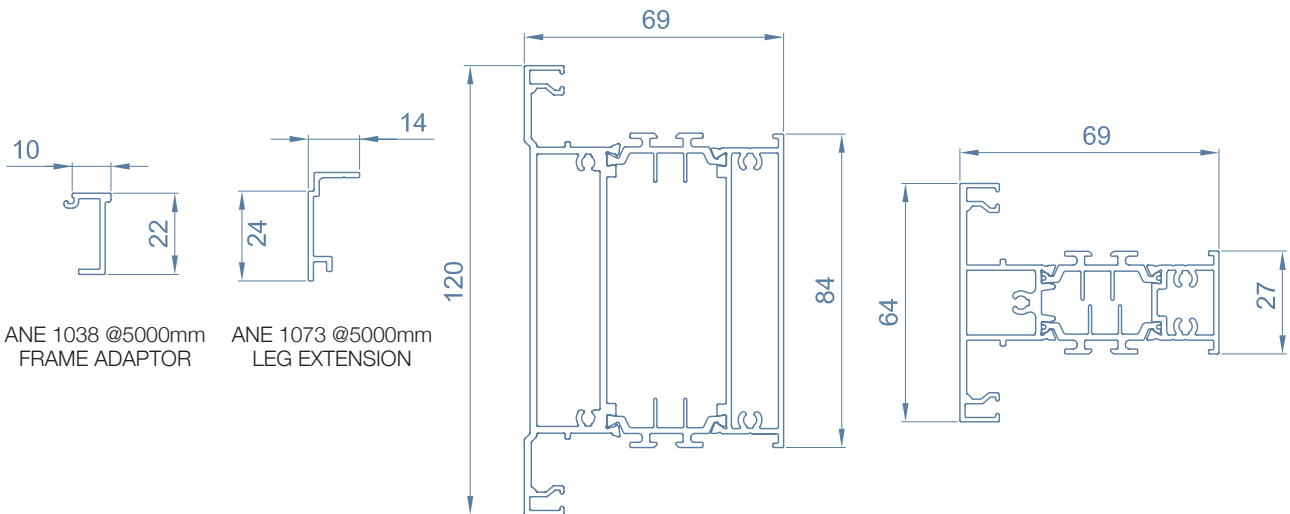
● FRAME PROFILES



APE 3023 @5000mm
OUTER FRAME



APE 3062 @5000mm
64mm TRANSOM



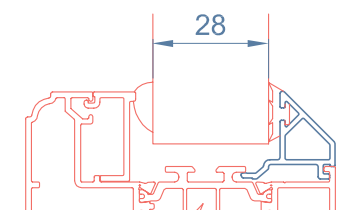
ANE 1038 @5000mm
FRAME ADAPTOR

ANE 1073 @5000mm
LEG EXTENSION

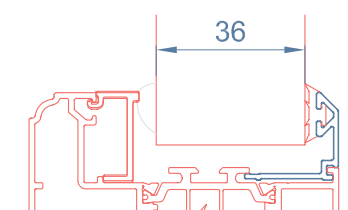
APE 4054 @5000mm
120mm MIDRAIL
FOR DOOR SIDE SCREENS

APE 4055 @5000mm
65mm TRANSOM
FOR DOOR SIDE SCREENS

● BEAD SELECTION



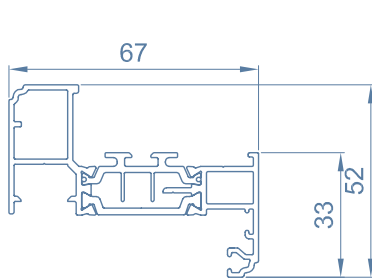
ANE 1051 @5000mm



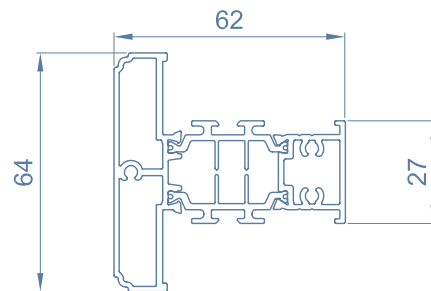
ANE 1057 @5000mm

“A” CASEMENT RANGE

● VENT PROFILES

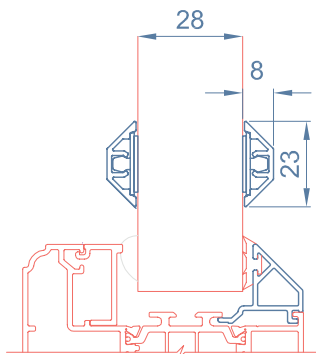


APE 3045 @5000mm
VENT FRAME

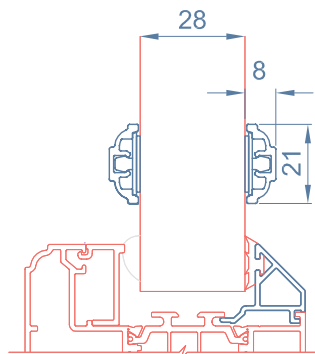


APE 3064 @5000mm
DUMMY TRANSOM

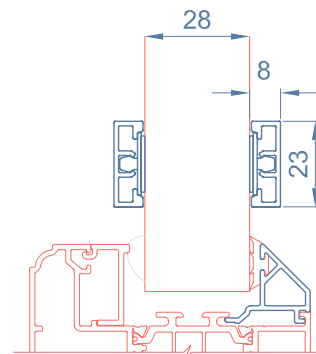
● GLAZING BARS



ANE 1091 @5000mm
TRIANGLE GLAZING BAR



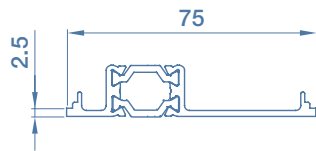
ANE 1090 @5000mm
PROFILED GLAZING BAR



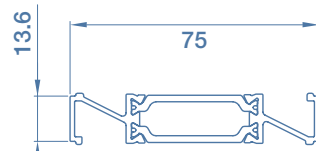
ANE 1092 @5000mm
FLAT GLAZING BAR

“A” CASEMENT RANGE

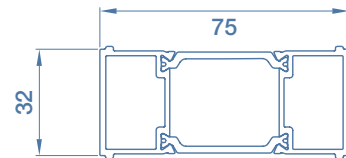
● ANCILLIARY PROFILES



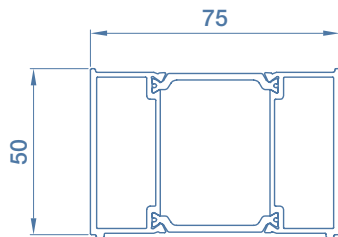
APE 3086 @5000mm CLOSING PLATE



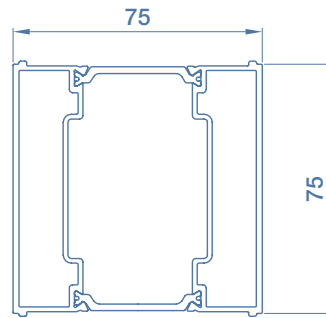
APE 6080 @6500mm DRAINAGE TRAY



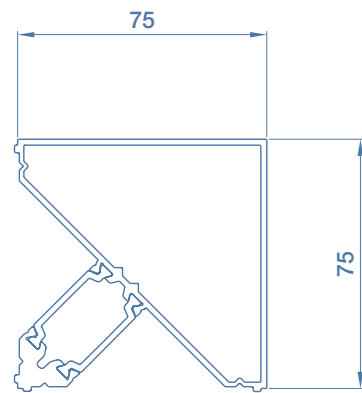
APE 6090 @6500mm ADD-ON



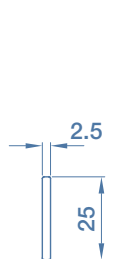
APE 6091 @6500mm 50mm ADD-ON



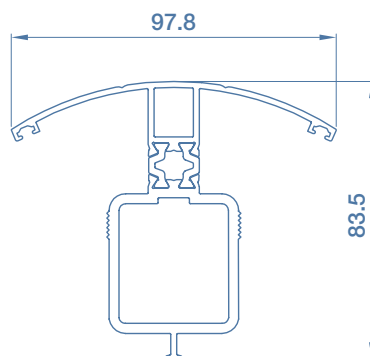
APE 6083 @5000mm
INLINE BOX MULLION



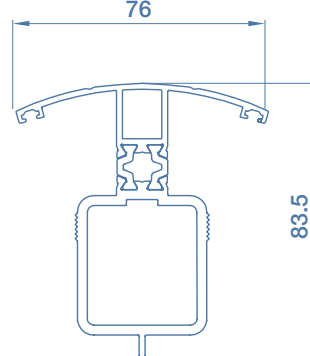
APE 6082 @5000mm CORNER POST



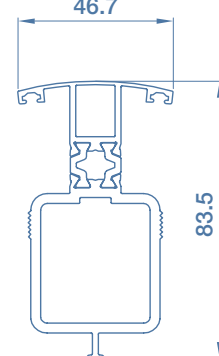
ANE 1018
@5000mm
FLAT TRIM



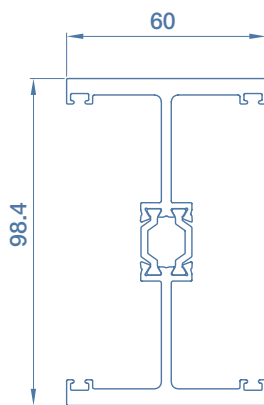
APE 6073 @5000mm
BAY COUPLER



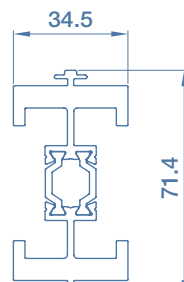
APE 6074 @5000mm
BAY COUPLER



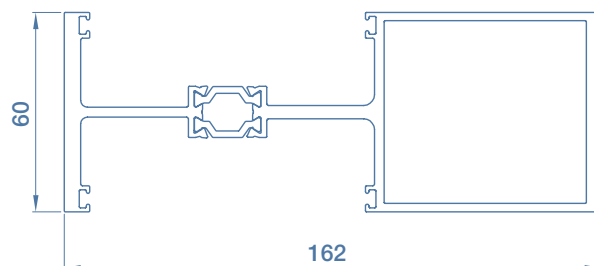
APE 6075 @5000mm
BAY COUPLER



APE 7091 @5000mm
STRUCTURAL COUPLER



APE 7092 @6500mm
H COUPLER

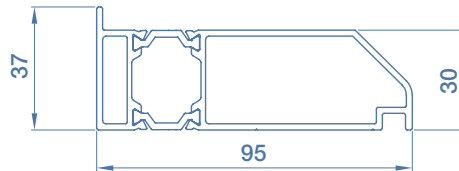


APE 7084 @6500mm STRUCTURAL COUPLER

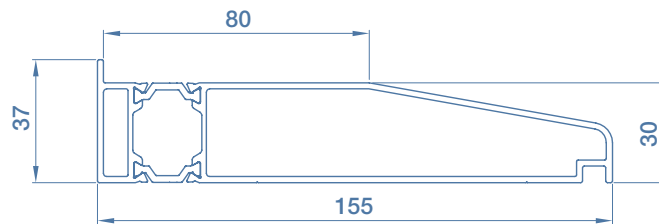
“A” CASEMENT RANGE

● CILLS

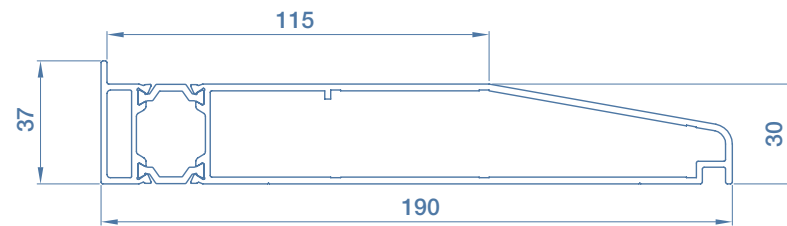
APE 3001 @6500mm



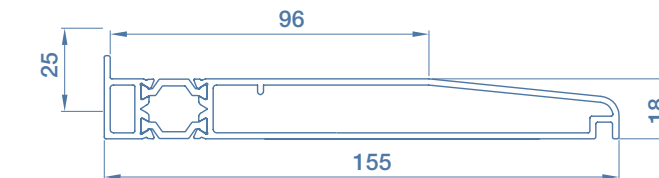
APE 3002 @6500mm



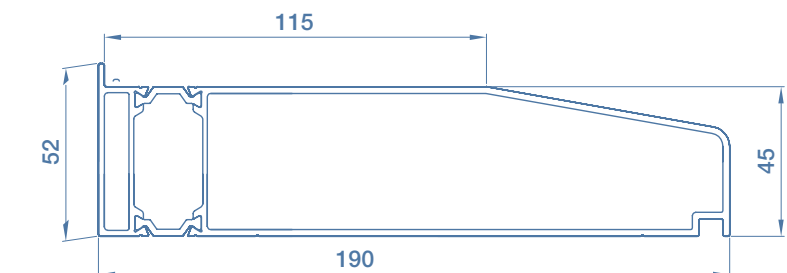
APE 3003 @6500mm



APE 3004 @6500mm



APE 3005 @6500mm



APE 3006 @6500mm

