

## “B” CASEMENT RANGE

Side and top hung casements and fixed lights

### ● SYSTEM:

JTC2000 75mm front-to-back dimension

### ● FABRICATION:

To BS 4873, CE marked DOP No. EL75-CW/01

### ● GLAZING SYSTEM:

**STANDARD:** Externally beaded

### ● PROFILES:

**STANDARD PROFILED:** F: APE3028, M/T: APE3062, V: APE3045

**OTHER:** Square vent APE3049, Dummy Transom APE3064

### ● DRAINAGE:

**STANDARD:** Through drainage

### ● INSULATING GLASS UNITS:

**STANDARD:** 28mm overall thickness, clear, low emissivity soft-coat to one pane, swiss spacer, argon filled to achieve U-value 1.6 W.m<sup>2</sup>K or BFRC energy rating Band B

### ● MAXIMUM MANUFACTURING SIZE:

**STANDARD TOP HUNG:** **Max:** (W) 1624mm x (H) 1624mm **Min:** (W) 340mm x (H) 270mm

**STANDARD SIDE HUNG:** **Max:** (W) 900mm x (H) 1624mm **Min:** (W) 400mm x (H) 340mm

Sizes are vent frame not outerframe

Weight restrictions also apply

### ● OPERATING GEAR: *Refer to technical department for further details/information*

Hardware	Standard	Alternative	Options
Friction hinges	Defender standard T/H Mega hinge S/H	Defender restricted	
Dog bolts/hinge protectors	Vectors excluders (hinge claws)	None	Fitted to all opening lights
Espagnolettes	With mushroom headed cams & shootbolts	None	Night vent keeps fitted
Handles for espagnolettes	Inline push button to operate	Non key locking, push button to operate	Green button for egress, if required
Key locking*			
Restrictor	Concealed, non-locking	Locking	Securistyle restrictor arm

### NOTES:

Trickle vent can be through frame

28mm & 36mm triple glazing options

Can have floating mullion window

### CILLS:

APE3001 (30 x 95)

APE3002 (30 x 155)

APE3003 (30 x 190)

APE3004 (45 x 155)

APE3005 (45 x 190)

### ADD-ONS/COUPLERS:

APE6080—15mm coupler

APE6090—33mm add-on

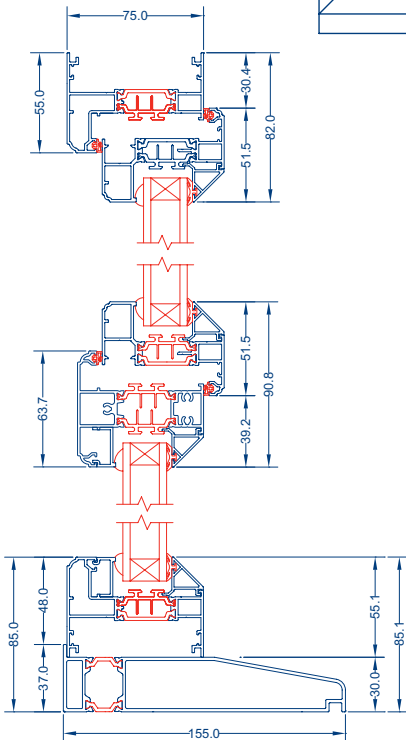
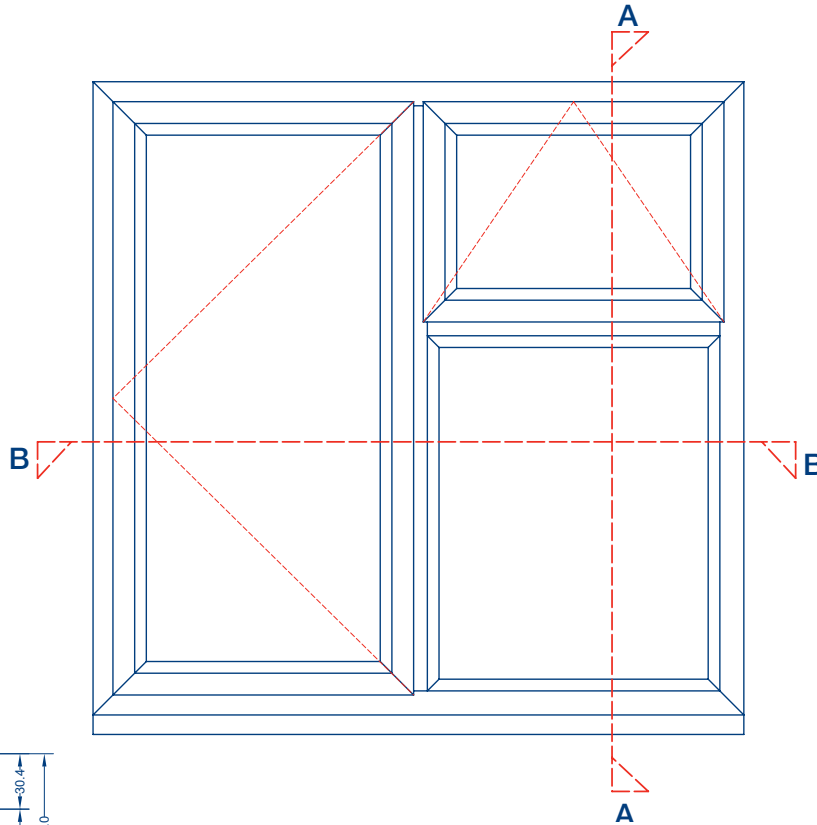
APE6091—50mm add-on

APE6083—75mm add-on

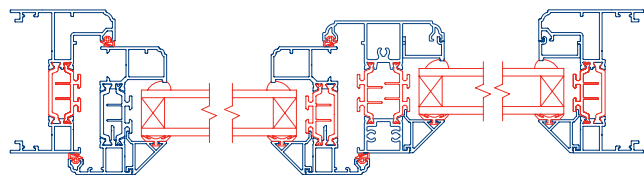
APE7091—structural coupler

## “B” CASEMENT RANGE

Side and top hung casements and fixed lights



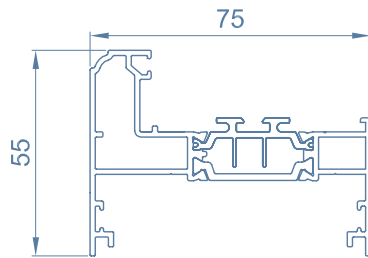
**DETAIL A-A**



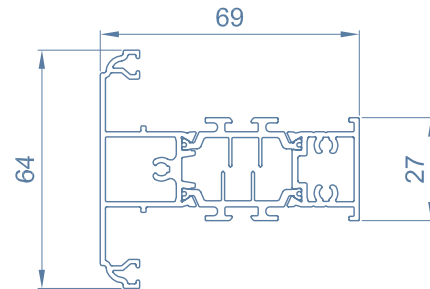
**DETAIL B-B**

## “B” CASEMENT RANGE

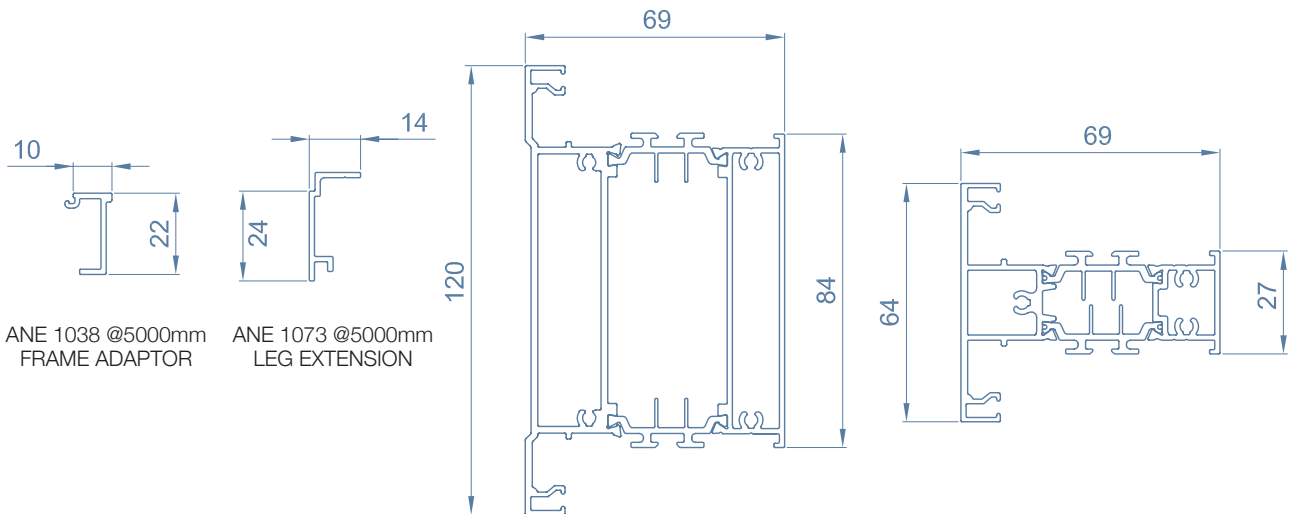
### ● FRAME PROFILES



APE 3028 @5000mm  
OUTER FRAME



APE 3062 @5000mm  
64mm TRANSOM



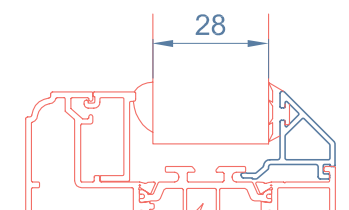
ANE 1038 @5000mm  
FRAME ADAPTOR

ANE 1073 @5000mm  
LEG EXTENSION

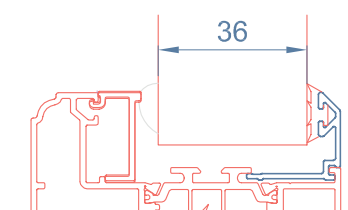
APE 4054 @5000mm  
120mm MIDRAIL  
FOR DOOR SIDE SCREENS

APE 4055 @5000mm  
65mm TRANSOM  
FOR DOOR SIDE SCREENS

### ● BEAD SELECTION



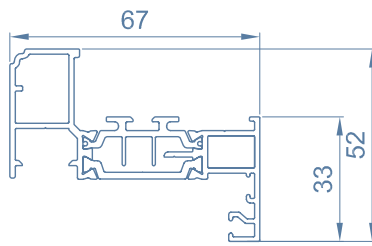
ANE 1051 @5000mm



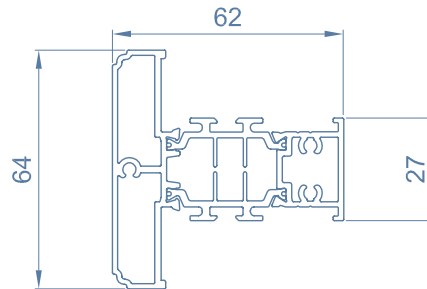
ANE 1057 @5000mm

## “B” CASEMENT RANGE

### ● VENT PROFILES

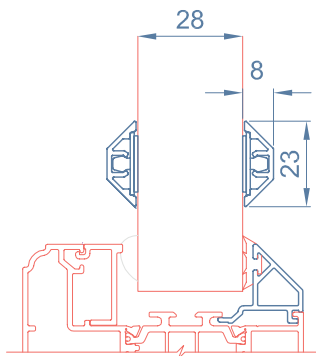


APE 3049 @5000mm  
VENT FRAME

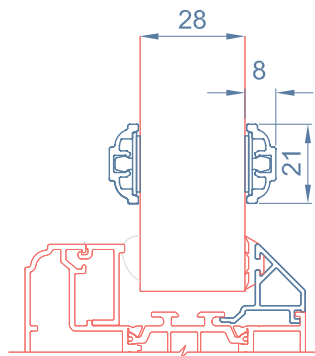


APE 3064 @5000mm  
DUMMY TRANSOM

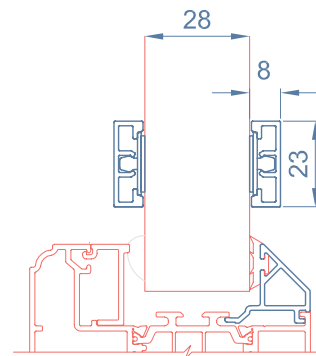
### ● GLAZING BARS



ANE 1091 @5000mm  
TRIANGLE GLAZING BAR



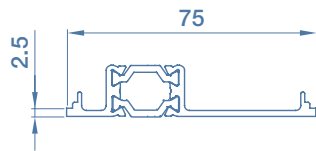
ANE 1090 @5000mm  
PROFILED GLAZING BAR



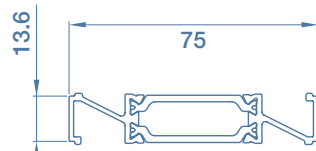
ANE 1092 @5000mm  
FLAT GLAZING BAR

## “B” CASEMENT RANGE

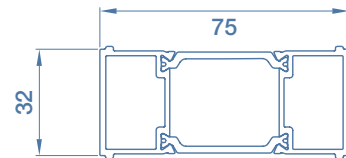
### ● ANCILLIARY PROFILES



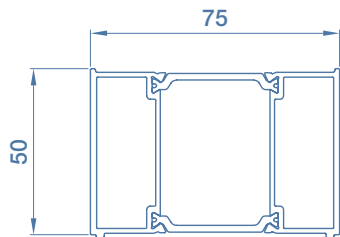
APE 3086 @5000mm CLOSING PLATE



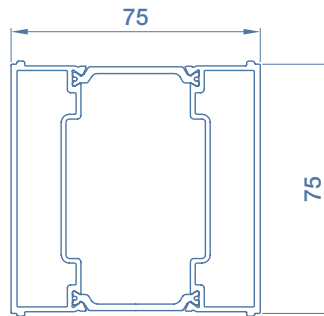
APE 6080 @6500mm DRAINAGE TRAY



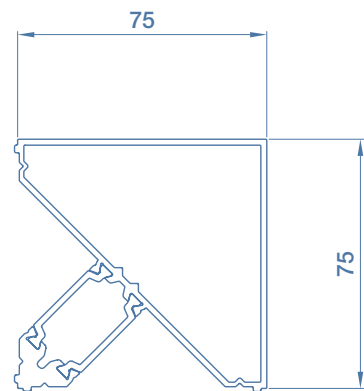
APE 6090 @6500mm ADD-ON



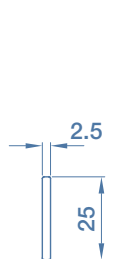
APE 6091 @6500mm 50mm ADD-ON



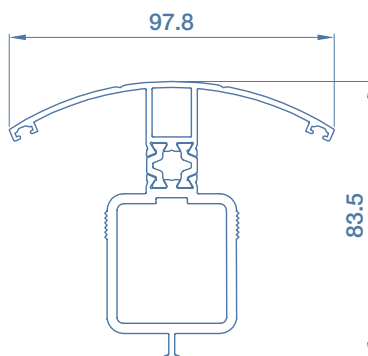
APE 6083 @5000mm  
INLINE BOX MULLION



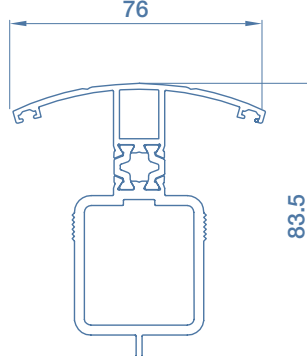
APE 6082 @5000mm CORNER POST



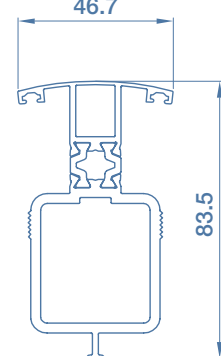
ANE 1018  
@5000mm  
FLAT TRIM



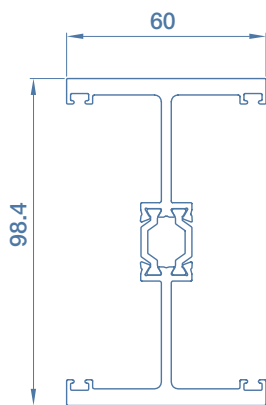
APE 6073 @5000mm  
BAY COUPLER



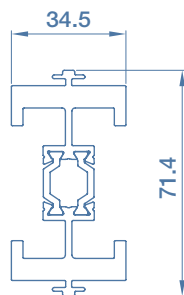
APE 6074 @5000mm  
BAY COUPLER



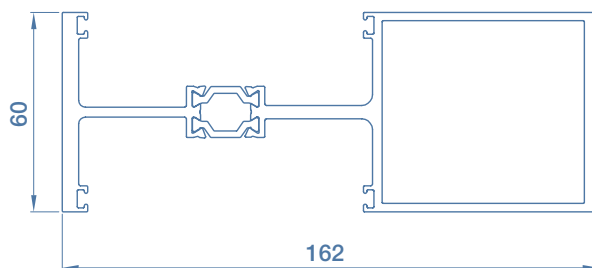
APE 6075 @5000mm  
BAY COUPLER



APE 7091 @5000mm  
STRUCTURAL COUPLER



APE 7092 @6500mm  
H COUPLER



APE 7084 @6500mm STRUCTURAL COUPLER

## “B” CASEMENT RANGE

### ● CILLS

