

FLUSH CASEMENT RANGE

Side and top hung casements and fixed lights

● SYSTEM:

JTC2000 75mm front-to-back dimension

● FABRICATION:

To BS 4873, CE marked DOP No. EL75-CW/01

● GLAZING SYSTEM:

STANDARD: Externally beaded

● PROFILES:

STANDARD PROFILED: F: APE7021, M/T: APE7057, V: APE7033 **OTHER:** Dummy Transom APE7057

● DRAINAGE:

STANDARD: Through drainage

● INSULATING GLASS UNITS:

STANDARD: 28mm overall thickness, clear, low emissivity soft-coat to one pane, swiss spacer, argon filled to achieve U-value 1.6 W.m²K or BFRC energy rating Band B

● MAXIMUM MANUFACTURING SIZE:

STANDARD TOP HUNG: **Max:** (W) 1624mm x (H) 1624mm **Min:** (W) 340mm x (H) 270mm

STANDARD SIDE HUNG: **Max:** (W) 900mm x (H) 1624mm **Min:** (W) 400mm x (H) 340mm

Sizes are vent frame not outerframe

Weight restrictions also apply

● OPERATING GEAR: *Refer to technical department for further details/information*

Hardware	Standard	Alternative	Options
Friction hinges	Defender standard T/H Mega hinge S/H	Defender restricted	
Dog bolts/hinge protectors	Vectors excluders (hinge claws)	None	Fitted to all opening lights
Espagnolettes	With mushroom headed cams & shootbolts	None	Night vent keeps fitted
Handles for espagnolettes	Inline push button to operate Key locking*	Non key locking, push button to operate	Green button for egress, if required
Restrictor	Concealed, non-locking	Locking	Securistyle restrictor arm

NOTES:

Trickle vent can be through frame

28mm & 36mm triple glazing options

Can have floating mullion window

CILLS:

APE3001 (30 x 95)

APE3002 (30 x 155)

APE3003 (30 x 190)

APE3004 (45 x 155)

APE3005 (45 x 190)

ADD-ONS/COUPLERS:

APE6080—15mm coupler

APE6090—33mm add-on

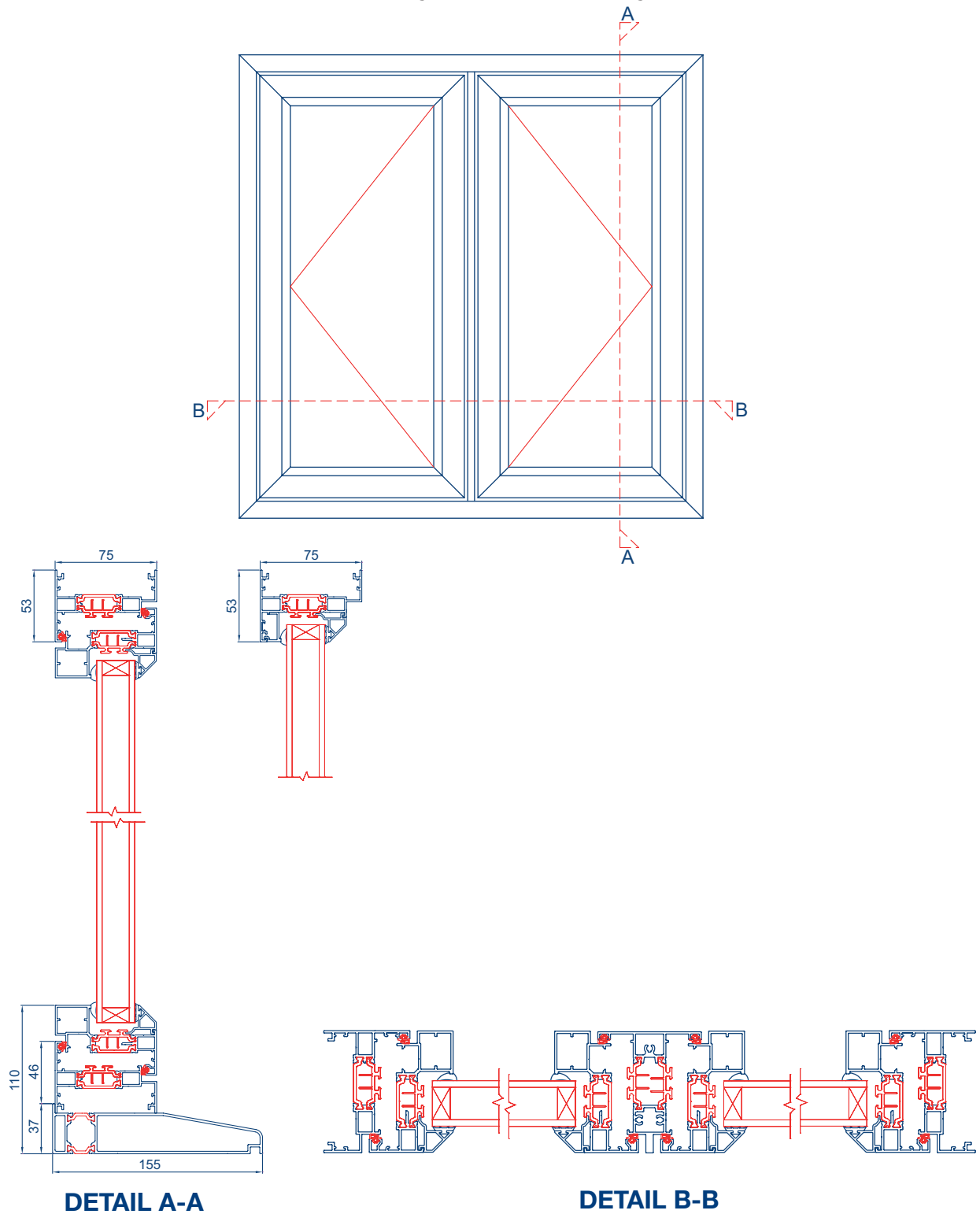
APE6091—50mm add-on

APE6083—75mm add-on

APE7091—structural coupler

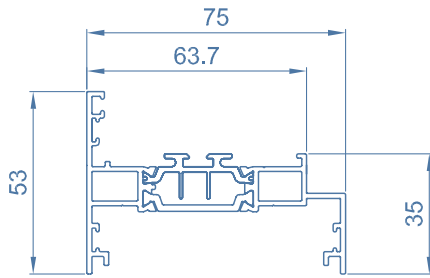
FLUSH CASEMENT RANGE

Side and top hung casements and fixed lights

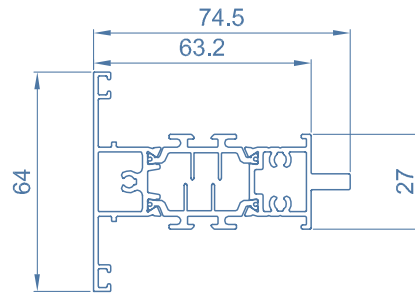


FLUSH CASEMENT RANGE

● FRAME PROFILES

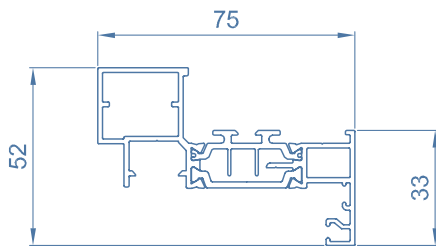


APE 7021 @5000mm OUTER FRAME

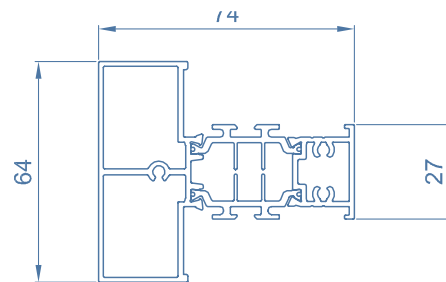


APE 7056 @5000mm 65mm TRANSOM

● VENT PROFILES

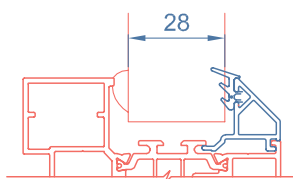


APE 7033 @5000mm CASEMENT VENT

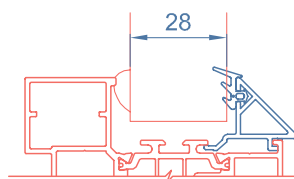


APE 7057 @5000mm DUMMY TRANSOM

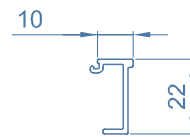
● BEAD SELECTION



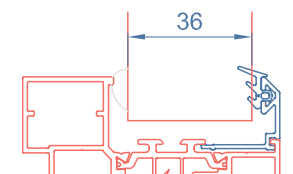
ANE 1051 @5000mm



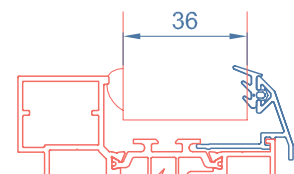
ANE 1054 @5000mm



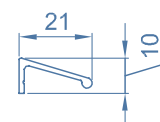
ANE 1038 @5000mm
FRAME ADAPTOR



ANE 1057 @5000mm



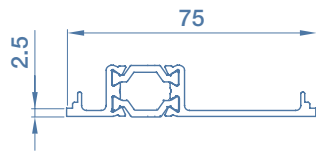
ANE 7061 @5000mm



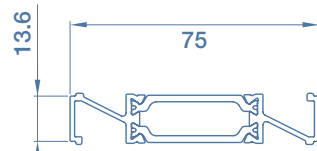
ANE 7062 @5000mm
WEATHER BAR

FLUSH CASEMENT RANGE

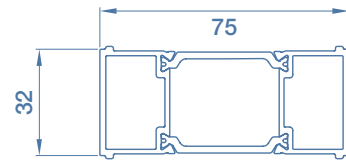
ANCILLIARY PROFILES



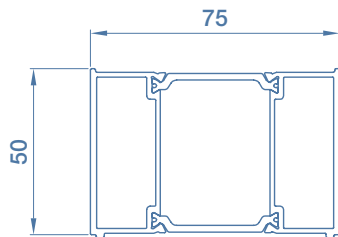
APE 3086 @5000mm CLOSING PLATE



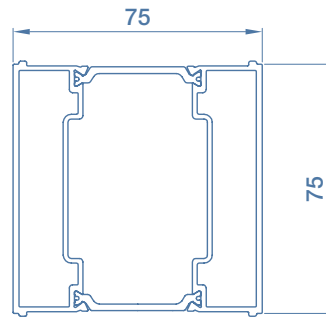
APE 6080 @6500mm DRAINAGE TRAY



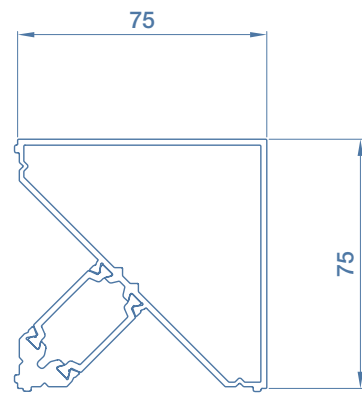
APE 6090 @6500mm ADD-ON



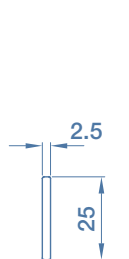
APE 6091 @6500mm 50mm ADD-ON



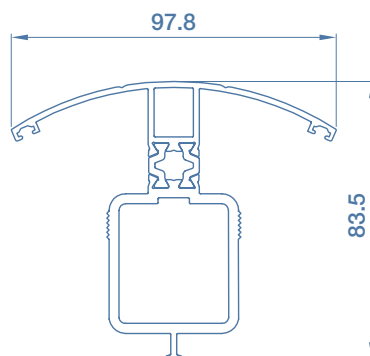
APE 6083 @5000mm
INLINE BOX MULLION



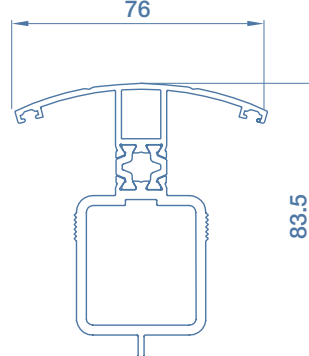
APE 6082 @5000mm CORNER POST



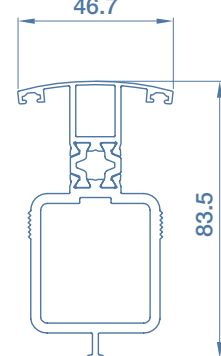
ANE 1018
@5000mm
FLAT TRIM



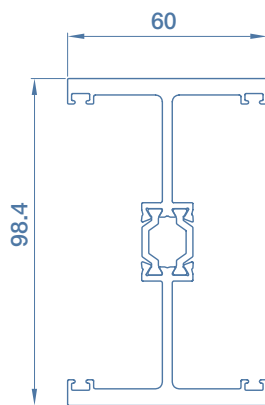
APE 6073 @5000mm
BAY COUPLER



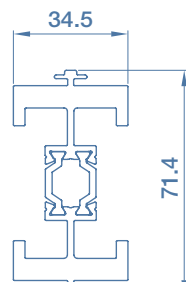
APE 6074 @5000mm
BAY COUPLER



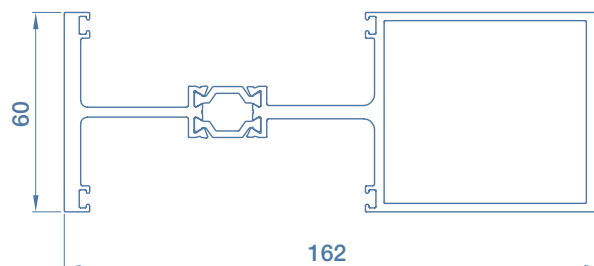
APE 6075 @5000mm
BAY COUPLER



APE 7091 @5000mm
STRUCTURAL COUPLER



APE 7092 @6500mm
H COUPLER



APE 7084 @6500mm STRUCTURAL COUPLER